

PASCO

Grow Light

PS-3347

What's included

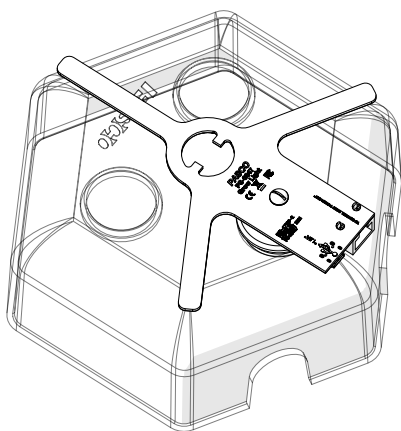
- Grow Light
- Power Out cable
- USB cable
- USB extension cable
- USB Power Adapter

Getting started

Required items

- //control.Node (PS-3232)
- EcoChamber (ME-6667)
- SPARKvue or PASCO Capstone software

1. Plug a hole on the EcoChamber lid with a single, small hole stopper (included with the EcoChamber).
2. Insert the post into the stopper hole to mount the Grow Light on the top of the EcoChamber lid. Turn the Grow Light so that the arms do not cover any of the other holes on the lid.



3. Connect the Grow Light to a Power Out port on the //control.Node using the included cable. Push the plug into each port until you hear a click.
4. Connect the Grow Light to power using the included USB cable and USB Power Adapter.

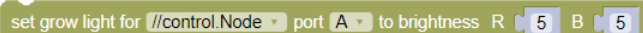
⚠ CAUTION: The LEDs will turn on to full brightness when power is applied:

- Don't look directly at the LEDs.
- Don't touch the LEDs. They can get hot!

5. Turn on the //control.Node and connect it to SPARKvue or PASCO Capstone software.

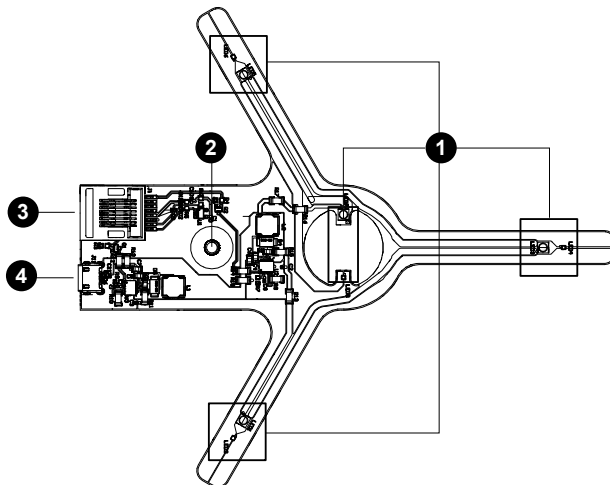
Note: The Grow Light LEDs will turn off when you turn on the //control.Node.

6. In the software, open the **Code** tool and select the **Hardware** group. Drag the **set grow light** block to the workspace.



7. Enter a value between 0 and 10 to set the brightness of the red (R) and blue (B) LEDs.

Features



1. LEDs

The Grow Light includes four red and four blue LEDs that can be controlled using a block in the **Code** tool in SPARKvue or PASCO Capstone.

⚠ CAUTION:

- Don't look directly at the LEDs.
- Don't touch the LEDs. They can get hot!

2. Post

Use the post to mount the Grow Light. Insert the post into a single hole stopper to mount the Grow Light on the top of the EcoChamber lid.

3. Power Out port

This port is used to control the Grow Light with the //control.Node. Use the included cable to connect this port to a Power Out port on the //control.Node.

4. USB port

This port is used to provide power to the Grow Light. Use the included cable to connect this port to the USB Power Adapter.

Download an experiment

Download one of several student-ready activities from the PASCO Experiment Library that use the Grow Light. Experiments include editable student handouts and teacher notes. Go to [pasco.com/freelabs/PS-3347](https://www.pasco.com/freelabs/PS-3347) to access the files.

If you want to explore on your own, check out the SPARKvue and PASCO Capstone help guides to search for specific topics.

SPARKvue

Software: Go to the Main Menu  then select Help.

Online: Go to [pasco.com/help/sparkvue](https://www.pasco.com/help/sparkvue).

PASCO Capstone

Software: In the menu bar, click Help then select PASCO Capstone Help.

Online: Go to [pasco.com/help/capstone](https://www.pasco.com/help/capstone).

Specifications and accessories

Visit the product page at [pasco.com/product/PS-3347](https://www.pasco.com/product/PS-3347) to view the specifications and explore accessories. You can also find experiment files and support documents on the product page.

Technical Support

Need more help? Our knowledgeable and friendly Technical Support staff is ready to provide assistance with this or any other PASCO product.

Phone (USA)	1-800-772-8700 (Option 4)
Phone (International)	+1 916 462 8384
Online	pasco.com/support

Regulatory information

Warranty, Copyright, and Trademarks

Limited Warranty

For a description of the product warranty, see the Warranty and Returns page at www.pasco.com/legal.

Copyright

This document is copyrighted with all rights reserved. Permission is granted to non-profit educational institutions for reproduction of any part of this manual, providing the reproductions are used only in their laboratories and classrooms, and are not sold for profit. Reproduction under any other circumstances, without the written consent of PASCO scientific, is prohibited.

Trademarks

PASCO and PASCO scientific are trademarks or registered trademarks of PASCO scientific, in the United States and/or in other countries. All other brands, products, or service names are or may be trademarks or service marks of, and are used to identify, products or services of, their respective owners. For more information visit www.pasco.com/legal.

Product end of life disposal instructions



This electronic product is subject to disposal and recycling regulations that vary by country and region. It is your responsibility to recycle your electronic equipment per your local environmental laws and regulations to ensure that it will be recycled in a manner that protects human health and the environment. To find out where you can drop off your waste equipment for recycling, please contact your local waste recycle or disposal service, or the place where you purchased the product.

The European Union WEEE (Waste Electronic and Electrical Equipment) symbol on the product or its packaging indicates that this product must not be disposed of in a standard waste container.

FCC statement

This device complies with part 15 of the FCC Rules. Operation is subject to the following two conditions: (1) This device may not cause harmful interference, and (2) this device must accept any interference received, including interference that may cause undesired operation.

CE statement

This device has been tested and found to comply with the essential requirements and other relevant provisions of the applicable EU Directives.