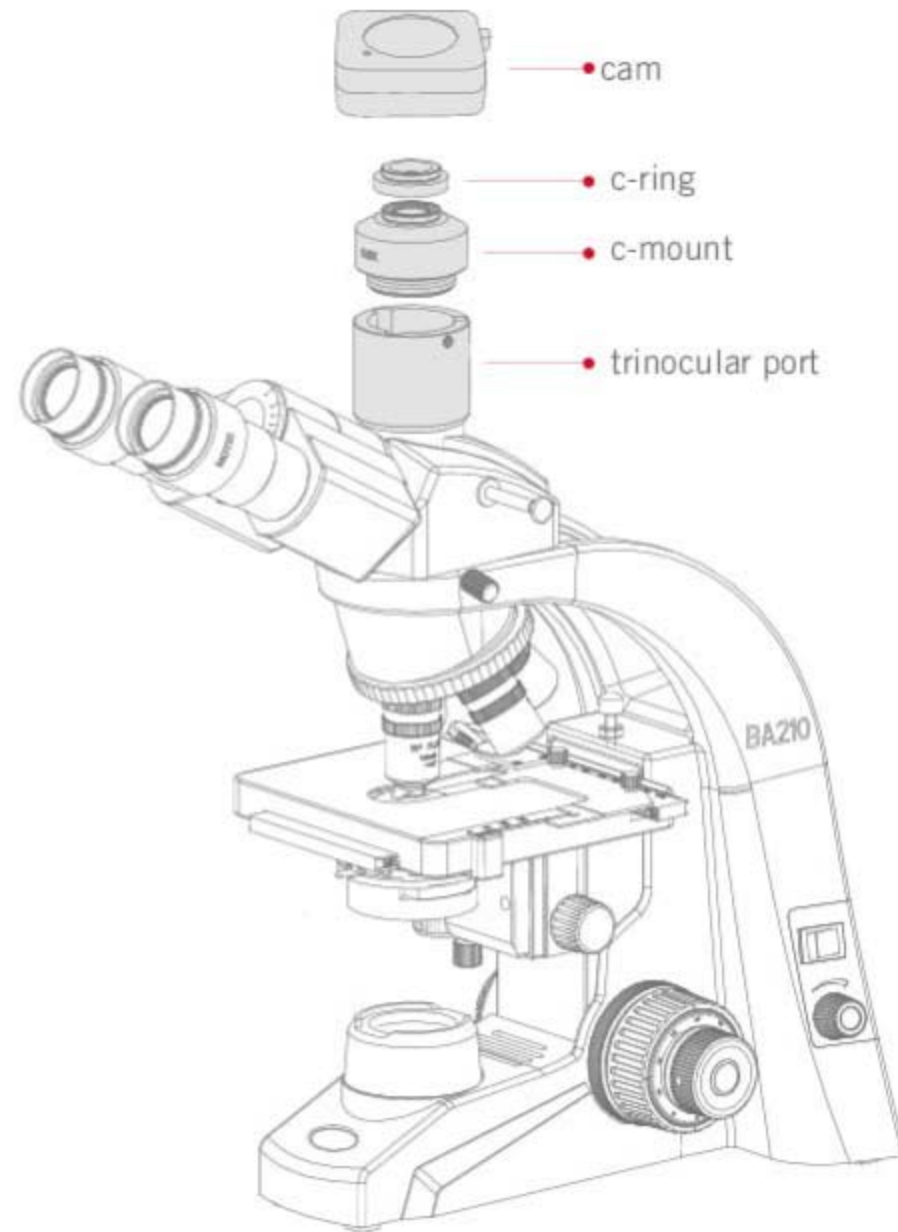


## Connect your cam Onto the trinocular tube

For all trinocular microscopes we have several c-mount adapters available. The **c-mount adapter** needs to be chosen according to the chip size of the **camera**. Each **cam** (excluding the gooseneck cameras) comes standard with a CS/C-mount connection; the **c-ring** is included in the package.

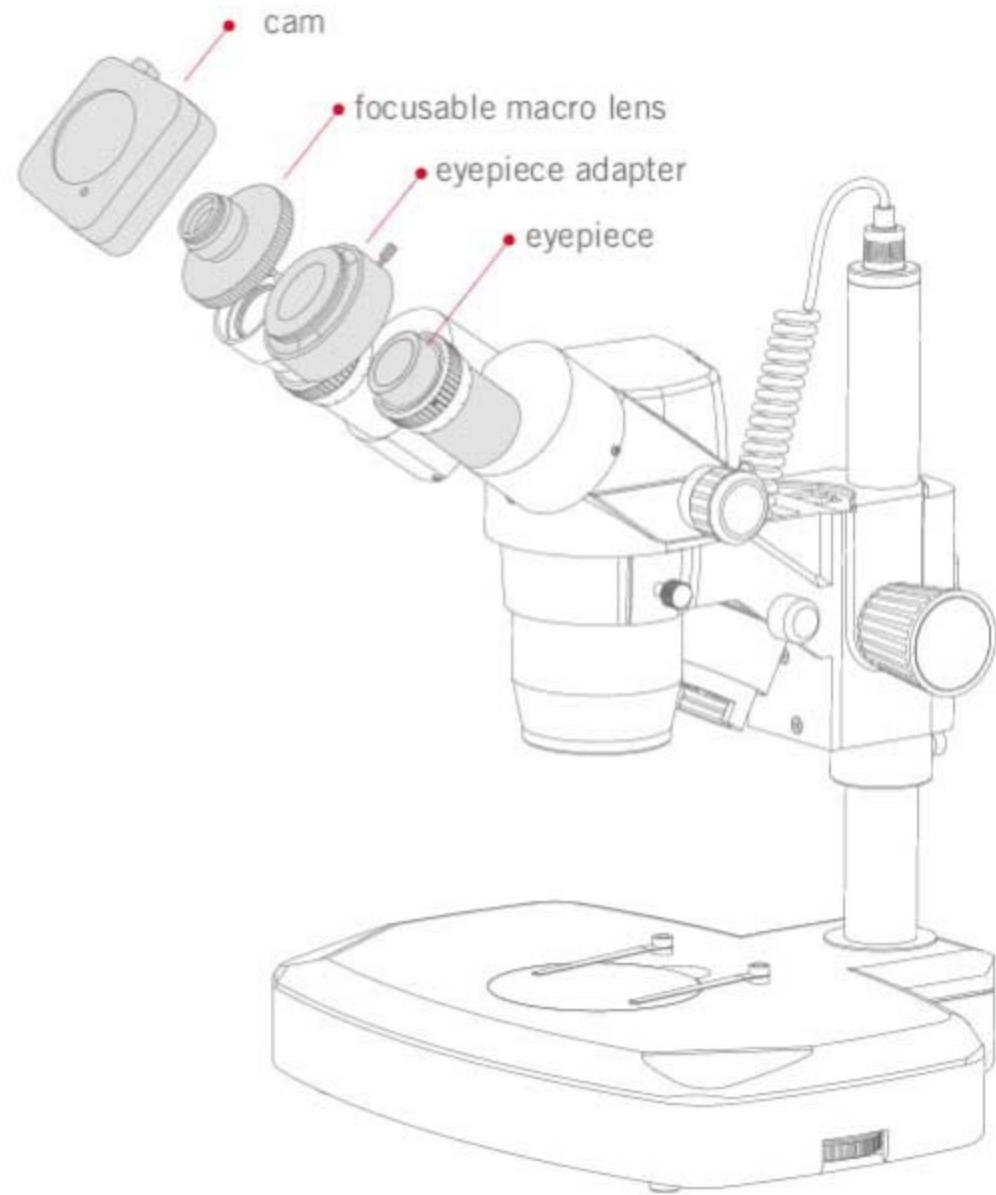
Just **fix the c-mount adapter on the trinocular port and connect the cam to the c-mount adapter**. This combination will give you the freedom to continue observing with both eyes, while having the **cam** connected.

Our **cam** cameras can also be used on microscopes, via the **universal c-mount connection**. Just remember that you will need the c-mount adapter from the manufacturer of your microscope.



## Connect your cam Onto the eyepiece

With each **cam** we supply two eyepiece couplers (30mm and 38mm in diameter). Simply **connect the focusable macro lens to the camera and select the correct eyepiece coupler** for your microscope. Put the complete combination onto the eyepiece, and you have turned your conventional microscope into a **digital microscope**.



## Connect your cam Into the eyetube

The special Eyetube adapter (B&S) is optional.

Simply screw the Eyetube adapter on the cam. Remove an eyepiece from the microscope and replace it with the cam-Eyetube adapter combination. You have turned your conventional microscope into a digital microscope.

