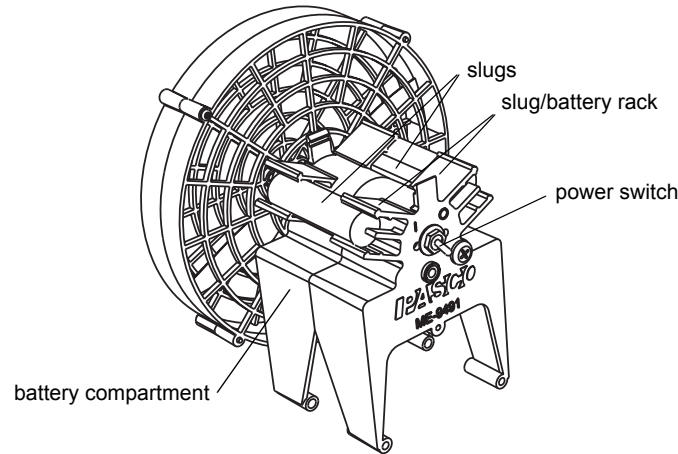


Fan Accessory

ME-9491



Included Equipment	Part Number
Fan Accessory	ME-9491
aluminum slugs (2)	
rubber bands	
Required Equipment	Part Number
4 AA batteries	
Dynamics Cart or	ME-9430 or ME-9454
PAScar or GOcar	ME-6950 or ME-6951
Suggested Equipment	Part Number
Dynamics Track	ME-9429A or ME-9452
Tape Timer or	ME-9283
Motion Sensor and a Science Workshop™ computer interface or	CI-6529
Motion Sensor and a 750 interface or	CI-6742 and CI-7500
PASport Motion Sensor and USB Link with a USB enabled computer	PS-2103 and PS-2100
Smart Pulley and computer interface	ME-9387
Friction Cart Accessory	ME-9457

Introduction

The PASCO ME-9491 Fan Accessory mounts on any PASCO Cart for use with a Dynamics Track (ME-9429A or ME-9452) to demonstrate principles of motion. The self-propelled Fan Accessory facilitates students' understanding of Newton's Second Law of Motion because the fan produces the applied force, and all the mass of the system is in one place. The mass and force can be adjusted for a variety of force experiments.

Specifications

Mass of Fan Accessory (with 4 AA Energizer™ batteries and mass slugs) ¹	approximately 310 g
Mass of aluminum slug	approximately 20 g

¹Note: The masses of batteries of different brands vary slightly.

Assembly

assembly on the Dynamics Cart

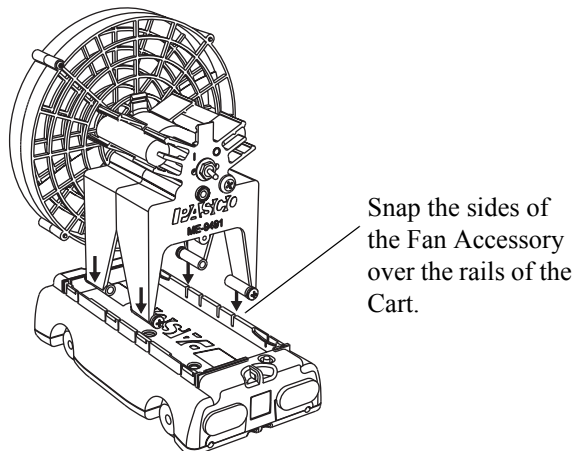


Figure 1. Attaching the Fan Accessory to the Cart

Operation

1. Change the speed of the Fan Accessory by using two, three, or four batteries. When using less than four batteries, insert the slugs as necessary to complete the circuit (Figure 2).

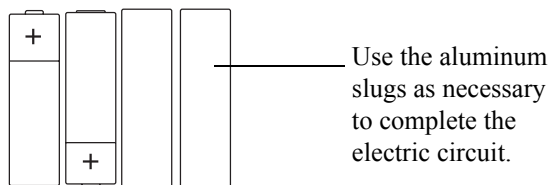


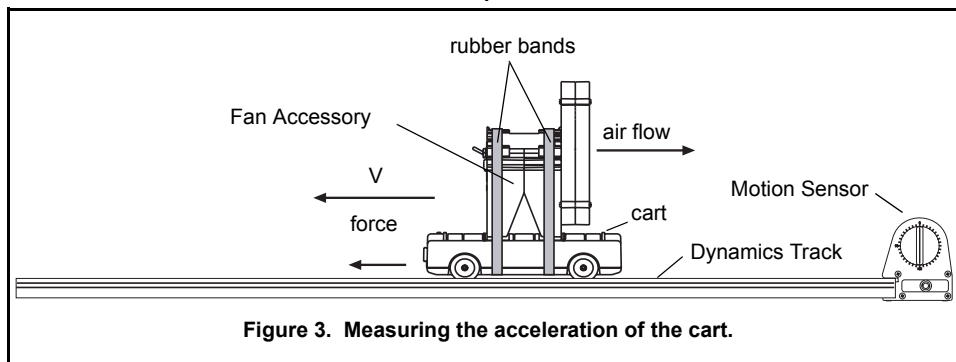
Figure 2. Supplying three different voltages by installing two, three or four batteries.

2. Store unused batteries or slugs in the storage rack on the top of the Fan Accessory.

- Vary the mass of the Fan Accessory by placing or removing the slugs or batteries in the storage rack.

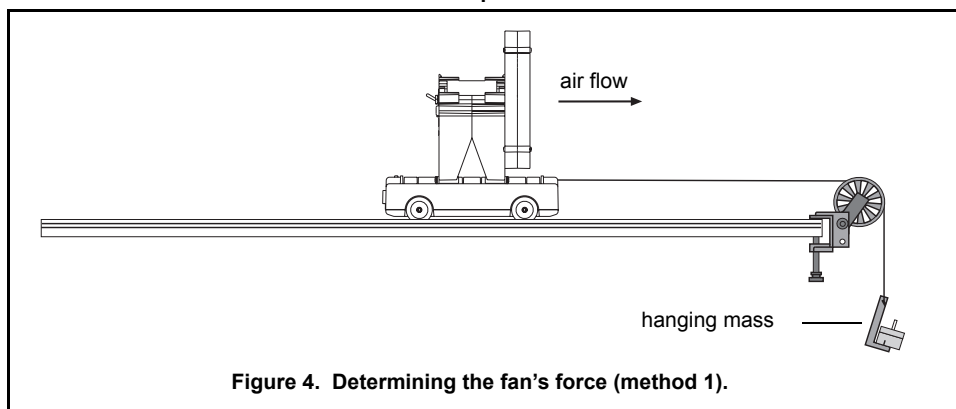
Suggested Experiments¹

Experiment #1: Measure the acceleration of the cart using the Motion Sensor, Smart Pulley or Tape Timer. Vary the mass of the Fan Accessory or the speed of the propeller and repeat (Figure 3)

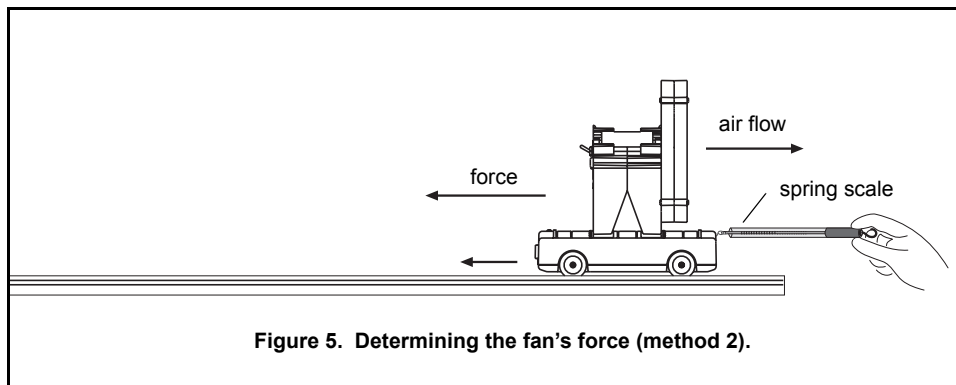


Note: To prevent the Fan Accessory from popping off the cart during a collision with a wall or End Stop, secure it to the cart with the included rubber bands as shown in Figure 3.

Experiment #2: Determine the force of the fan by connecting the cart to a mass that hangs over a pulley. Adjust the hanging mass until the cart doesn't move. Vary the fan speed and repeat (Figure 4)

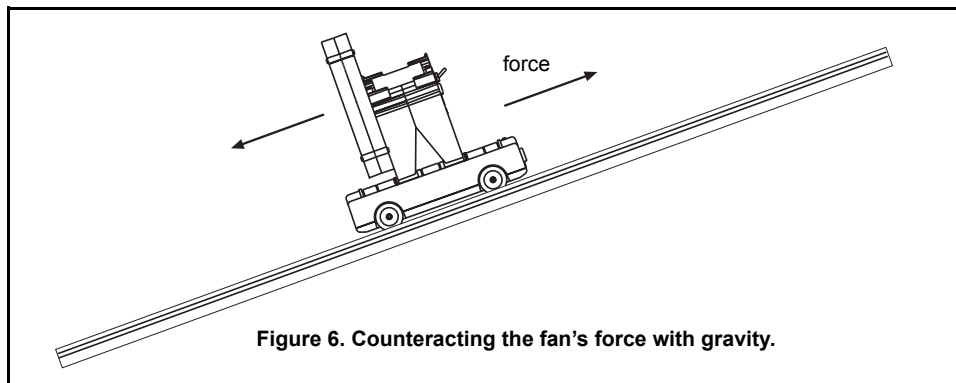


Alternative method: Use a spring scale to determine the fan's force at three different propeller speeds (Figure 5)

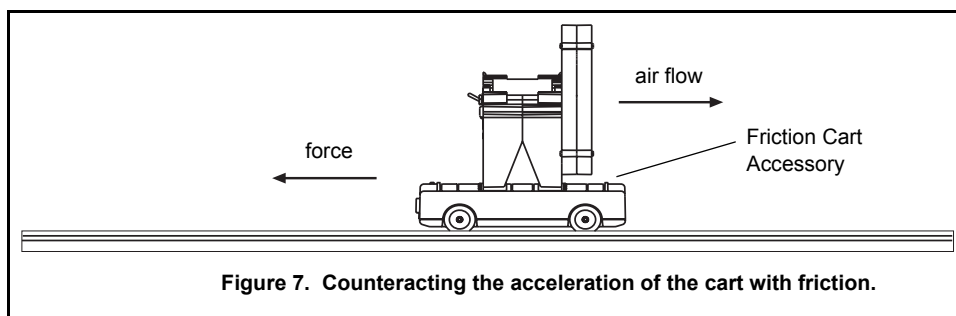


¹ For a discussion of fan cart experiments, refer to Robert A. Morse, "Constant Acceleration Experiments with a Fan-Driven Dynamics Cart," *The Physics Teacher*, October, 1993, pp. 436-438.

Experiment #3: Counteract the fan's force with the force of gravity by inclining the track until the cart cannot climb it. Vary the fan speed and repeat (Figure 6)



Experiment #4: Counteract the acceleration due to the fan's force with friction by attaching a Friction Cart Accessory to the Dynamics Cart and adjusting the friction until the cart moves at constant speed. Vary the fan speed and repeat (Figure 7).



Technical Support

For assistance with any PASCO product, contact PASCO at:

Address: PASCO scientific
10101 Foothills Blvd.
Roseville, CA 95747-7100

Phone: 916-786-3800 (worldwide)
800-772-8700 (U.S)

Fax: (916) 786-7565

Web: www.pasco.com

Email: support@pasco.com

Limited Warranty

For a description of the product warranty, see the PASCO catalog.

Copyright

The PASCO scientific 012-06363G *Fan Accessory Instruction Manual* is copyrighted with all rights reserved. Permission is granted to non-profit educational institutions for reproduction of any part of this manual, providing the reproductions are used only in their laboratories and classrooms, and are not sold for profit. Reproduction under any other circumstances, without the written consent of PASCO scientific, is prohibited.

Trademarks

PASCO, PASCO scientific, DataStudio, PASPORT, and ScienceWorkshop are trademarks or registered trademarks of PASCO scientific, in the United States and/or in other countries. All other brands, products, or service names are or may be trademarks or service marks of, and are used to identify, products or services of, their respective owners. For more information visit www.pasco.com/legal.