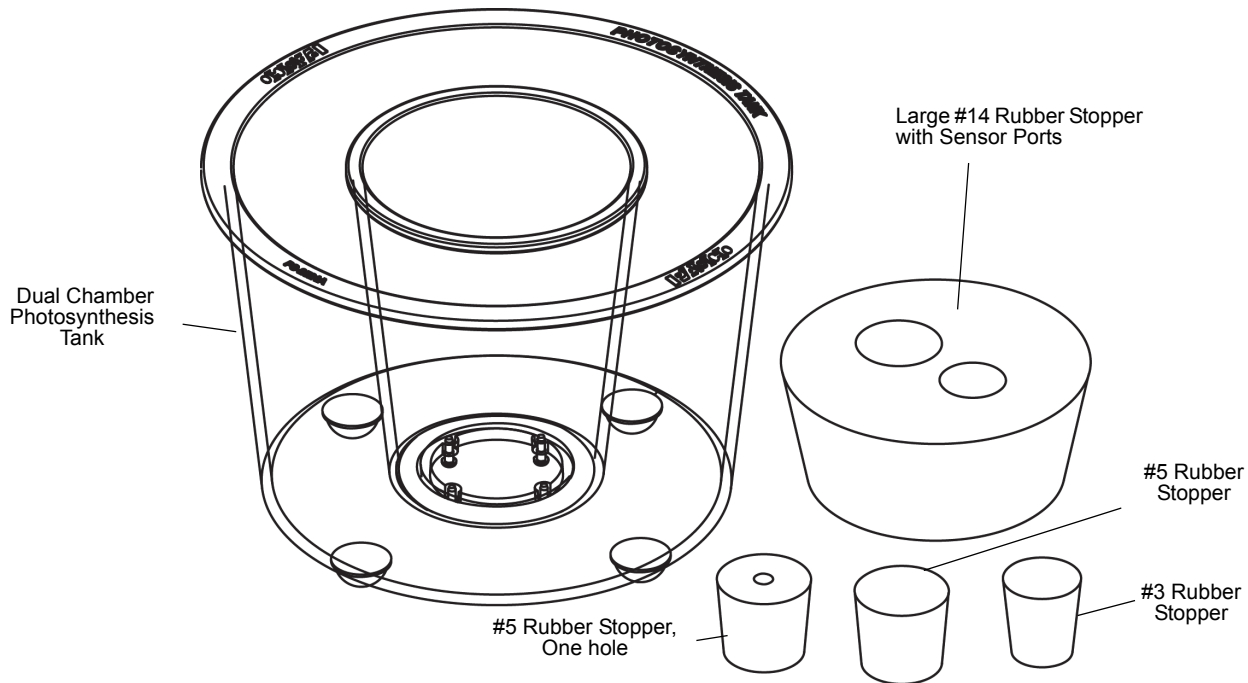


Photosynthesis Tank

PS-2521B



Included Items	Qty
Dual Chamber Photosynthesis Tank	1
#14 Rubber Stopper with Sensor Ports	1
#5 Rubber Stopper, One hole	1
#5 Rubber Stopper, Solid	1
#3 Rubber Stopper, Solid	1

Required Items	Model
PASCO Interface and Software*	
Optical Dissolved Oxygen Sensor	PS-2196

*See the PASCO catalog or the PASCO web site at www.pasco.com for more information.

Optional Items	Model
PASPORT Dissolved O ₂ Sensor OR ScienceWorkshop Dissolved O ₂ Sensor ¹	PS-2108 OR CI-6542
PASPORT Temperature Sensor OR ScienceWorkshop Temperature Sensor ¹	PS-2125 OR CI-6605A

¹A ScienceWorkshop Sensor requires the PS-2158 Analog Adapter in order to connect to a PASPORT interface.

Recommended Items*
Magnetic Stirrer and Stir Bar
Teflon cover for Temperature Sensor

Introduction

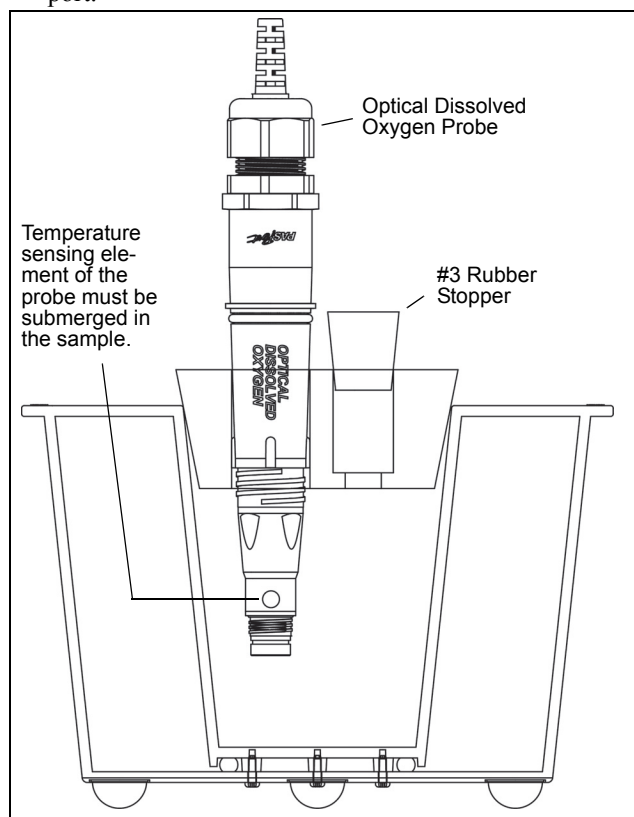
The PS-2521B Photosynthesis Tank is designed for use with either PASPORT or ScienceWorkshop sensors. Although the

basic Photosynthesis experiment can be accomplished with test tubes, the Photosynthesis Tank allows for greater flexibility when conducting this important experiment.

In a typical experiment your primary sample (such as elodea) and water are placed in the inner chamber. The size and shape of the inner chamber can accommodate a stirring bar and other biological samples in addition to your primary sample. The outer chamber is used to regulate temperature and/or add chemicals that filter the incoming light, without directly affecting the sample. The large rubber stopper is used to isolate the micro-environment of the inner chamber while accommodating the Optical Dissolved Oxygen Sensor (or a Dissolved Oxygen Sensor and a Temperature Sensor). If a sensor port is not in use, the included #3 rubber stopper or #5 solid stopper can be used to seal the unused port. A port can also be used to introduce chemicals to the primary sample during an experiment.

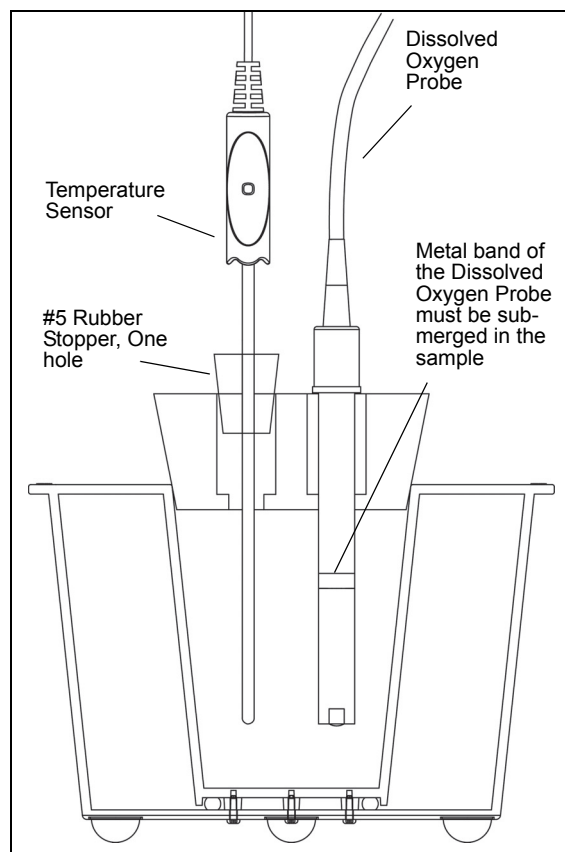
Setup

- Insert the Optical Dissolved Oxygen probe through the larger sensor port. Put the #3 rubber stopper in the other port.



Warning: Alternative Setup

- Although the Photosynthesis Tank is specifically designed for PASCO sensors, extra care should be taken when inserting the PASPORT or ScienceWorkshop Dissolved Oxygen Probe to prevent any damage to the probe membrane.



NOTE

For best results, fill the inner chamber of the Photosynthesis Tank approximately two-thirds full with the primary sample.

Safety

Read the instructions before using this product. Students should be supervised by their instructors. When using this product, follow the instructions in this instruction sheet and all local safety guidelines that apply to you.

More Information

For the latest information about the Photosynthesis Tank, visit the PASCO web site at www.pasco.com and enter "PS-2521B" in the Search window.

Technical Support

For assistance with any PASCO product, contact PASCO at:

Address: PASCO scientific
 10101 Foothills Blvd.
 Roseville, CA 95747-7100

Phone: +1 916-462-8384 (worldwide)
 877-373-0300 (U.S.)

E-mail: support@pasco.com

Web www.pasco.com

Limited Warranty For a description of the product warranty, see the PASCO catalog. **Copyright** The PASCO scientific *Instruction Sheet* is copyrighted with all rights reserved. Permission is granted to non-profit educational institutions for reproduction of any part of this manual, providing the reproductions are used only in their laboratories and classrooms, and are not sold for profit. Reproduction under any other circumstances, without the written consent of PASCO scientific, is prohibited. **Trademarks** PASCO, PASCO scientific®, PASCO Capstone, PASPORT, SPARK Science Learning System, SPARK SLS, and SPARKvue are trademarks or registered trademarks of PASCO scientific, in the United States and/or in other countries. For more information visit www.pasco.com/legal.